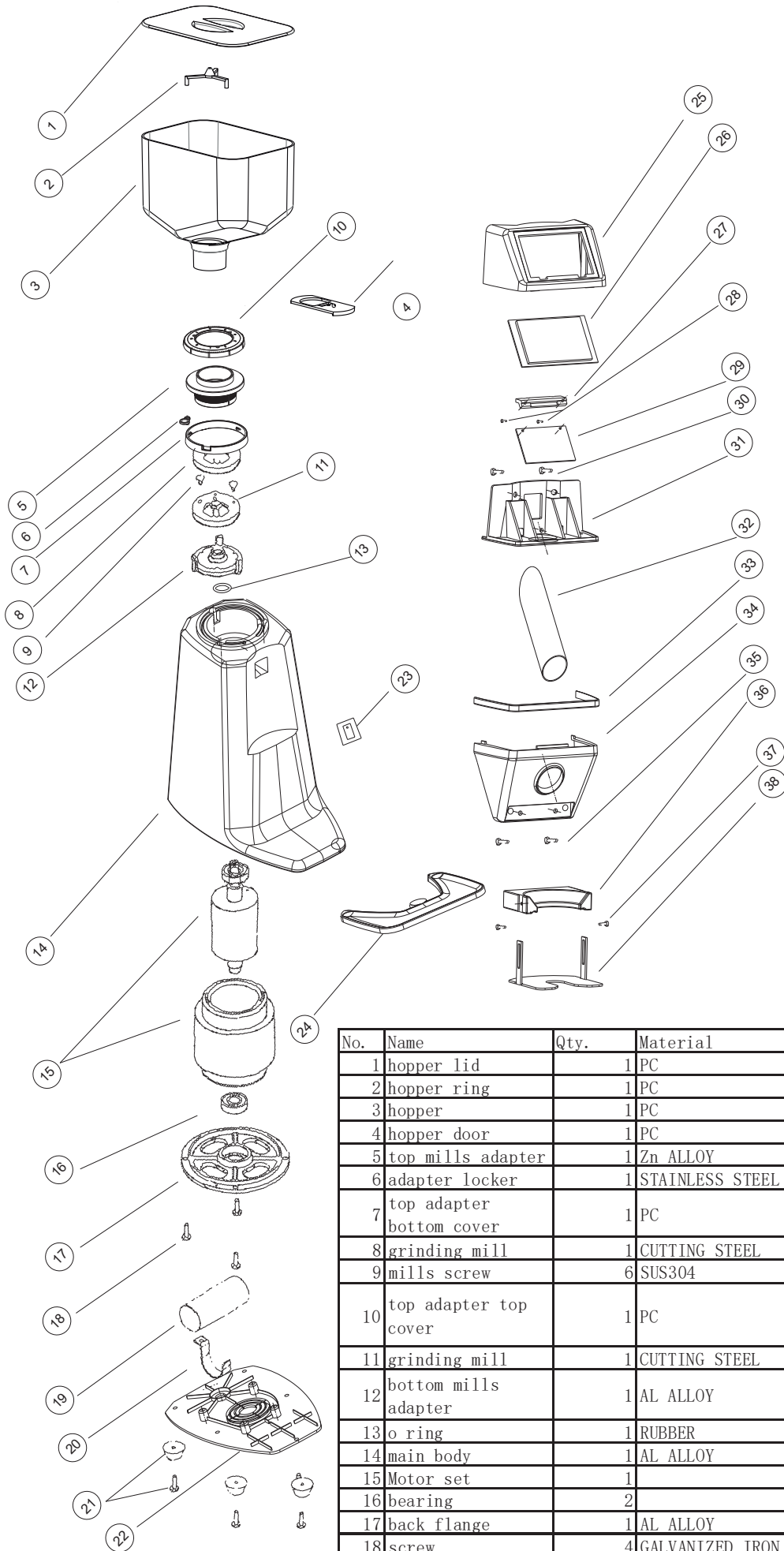


UNIKO XH ON DEMAND DISPLAY MILL WITH TACTILE DISPLAY



No.	Name	Qty.	Material	No.	Name	Qty.	Material
1	hopper lid	1	PC	20	capacitor holder	1	STEEL
2	hopper ring	1	PC	21	foot	5	RUBBER
3	hopper	1	PC	22	bottom cover	1	GALVANIZED IRON
4	hopper door	1	PC	23	switch	1	Zn ALLOY
5	top mills adapter	1	Zn ALLOY	24	residue tray	1	STAINLESS STEEL
6	adapter locker	1	STAINLESS STEEL	25	screen holder	1	PC
7	top adapter bottom cover	1	PC	26	screen	1	
8	grinding mill	1	CUTTING STEEL	27	screen fixing base	1	PC
9	mills screw	6	SUS304	28	srew	2	GALVANIZED IRON
10	top adapter top cover	1	PC	29	control board	1	PCB
11	grinding mill	1	CUTTING STEEL	30	srew	1	GALVANIZED IRON
12	bottom mills adapter	1	AL ALLOY	31	fixing base	1	PC
13	o ring	1	RUBBER	32	outlet	1	STAINLESS STEEL
14	main body	1	AL ALLOY	33	decorative strip	1	
15	Motor set	1		34	bottom base	1	PC
16	bearing	2		35	screw	2	GALVANIZED IRON
17	back flange	1	AL ALLOY	36	filter holder upper	1	AL ALLOY
18	screw	4	GALVANIZED IRON	37	screw	2	GALVANIZED IRON
19	capacitor	1		38	filter holder lower	1	STAINLESS STEEL